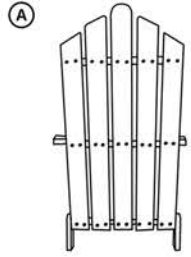


# ADIRONDACK CHAIR

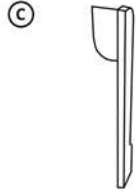
## ASSEMBLY INSTRUCTIONS

YOU WILL NEED: 1 x Phillips Head Screwdriver

### TIMBER PARTS



Back x 1 pc



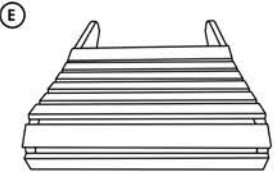
Front leg x 2 pcs



Back crossbar x 1 pc



Leg crossbar x 1 pc



Seat x 1 pc



Arm x 2 pcs

### HARDWARE



Screw M6 45mm x 4 pcs



Screw M6 50mm x 4 pcs



Bolt M8 30mm x 6 pcs



Screw M4 45mm x 4 pcs



Bolt M8 15mm x 6 pcs



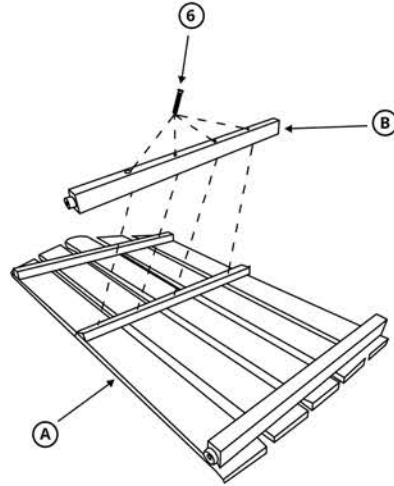
Washer M2 8mm x 4 pcs



Allen key x 2 pcs

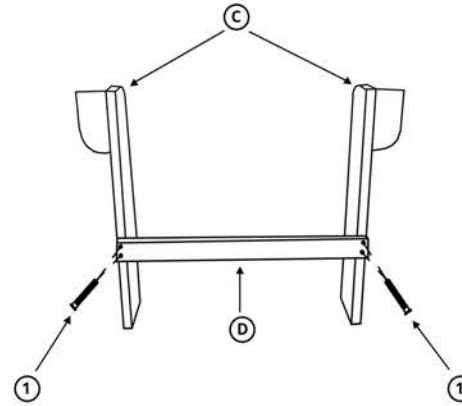
### STEP 1

Attach back crossbar to back



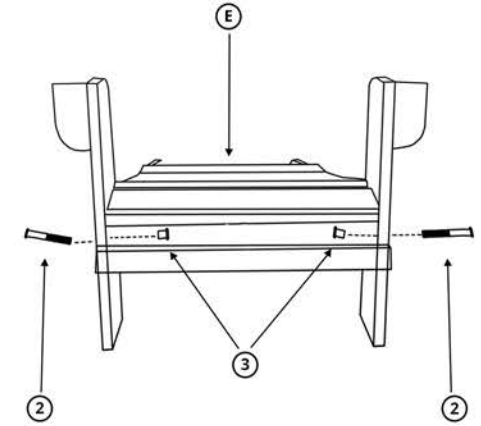
### STEP 2

Attach leg crossbar to front legs



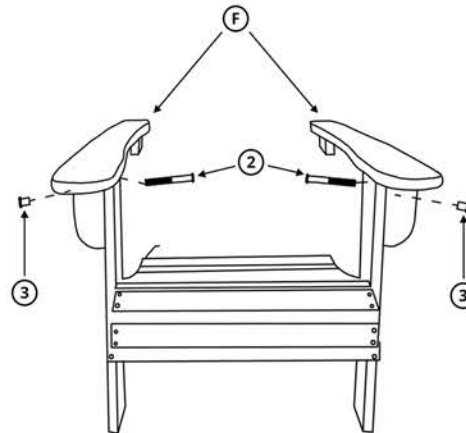
### STEP 3

Attach seat to front legs



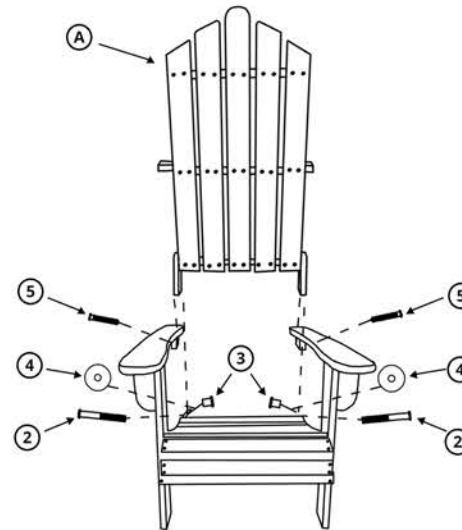
### STEP 4

Attach arms to front legs



### STEP 5

Attach back to the seat and arms



### STEP 6

Completed chair

